

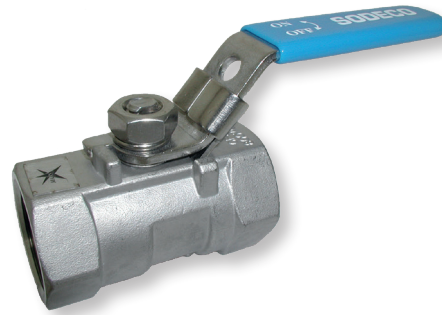
APPLICATIONS:

Compressed air, fuel, water, oil, low pressure steam
Working pressure: 55 bar / 800 WOG

CONNECTION:

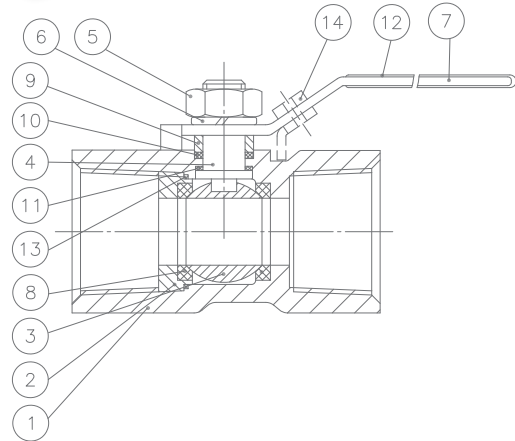
101IIT: BSP acc. to ISO 228-1

102IIT: NPT acc. to EN ASME B1.20.1



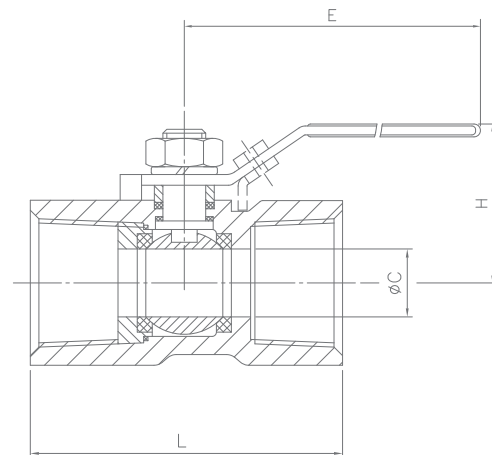
MATERIALS:

N°	Description	Materials
1	Body	Stainless steel CF8M
2	End cap	Stainless steel CF8M
3	Ball	Stainless steel AISI 316 (up to 1/2")
		Stainless steel CF8M (from 3/4")
4	Stem	Stainless steel AISI 316
5	Stem nut	Stainless steel AISI 304
6	Stem washer	Stainless steel AISI 304
7	Wrench	Stainless steel AISI 304
8	Seat	PTFE
9	Gland bush	Stainless steel AISI 304
10	Stem packing	PTFE
11	Thrust washer	PTFE
12	Protection sleeve	Vinyl
13	Joint gasket	PTFE
14	Locking device	Stainless steel AISI 304

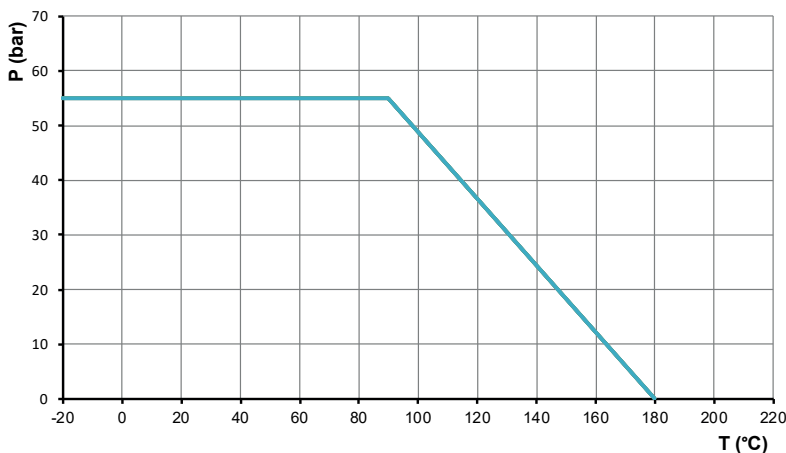


DIMENSIONS: (mm)

Ø	ØC	E	H	L	Kg
1/4"	5,0	64	35	39	0,07
3/8"	7,0	70	37	44	0,10
1/2"	9,2	90	44	57	0,16
3/4"	12,5	90	47	58	0,25
1"	15,0	103	50	71	0,43
1 1/4"	20,0	103	57	78	0,70
1 1/2"	25,0	127	69	83	0,83
2"	32,0	127	75	100	1,50



PRESSURE-TEMPERATURE CHART:



Subject to changes